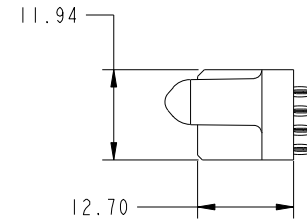
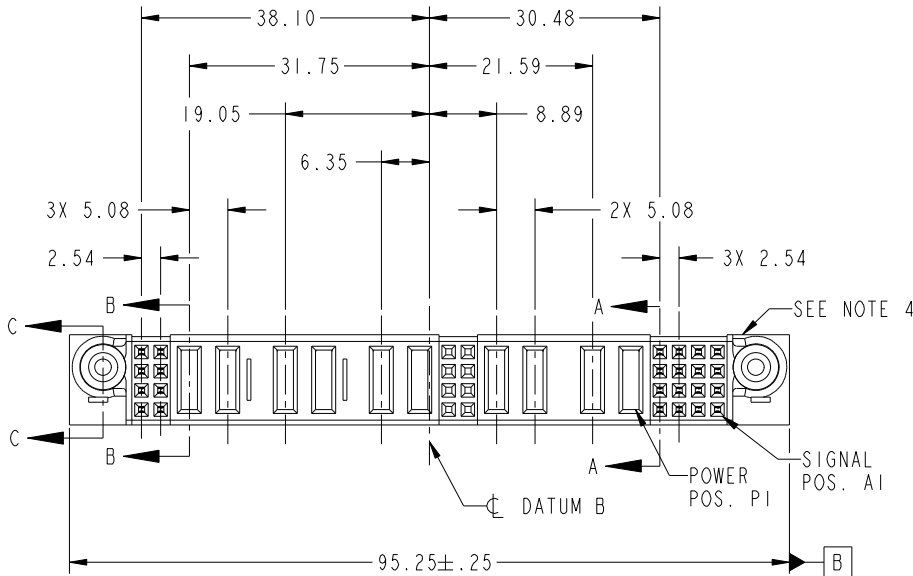


Tous droits strictement réservés. Reproduction ou communication a des tiers interdite sous quelque forme que ce soit sans autorisation écrite du propriétaire. Propriété de c.FCI. Droits de reproduction FCI.

All rights strictly reserved. Reproduction or issue to third parties in any form whatever is not permitted without written authority from the proprietor. Property of FCI. Copyright FCI.



PRODUCT NUMBER	ROWS	SIG	POWER								SIG	POWER				SIG	E1				
		E2	8	7	P10	P9	P8	P7	P6	P5	6	5	P4	P3	P2	P1		4	3	2	1
51940-024_- NOTE: 3	D		F	F	PF	PF	PF	PF	PC	PC	X	X	PF	PF	PF	PF	F	F	F	F	
	C		F	F	PF	PF	PF	PF	PC	PC	X	X	PF	PF	PF	PF	F	F	F	F	
	B		F	F	PF	PF	PF	PF	PC	PC	X	X	PF	PF	PF	PF	F	F	F	F	
	A		F	F	PF	PF	PF	PF	PC	PC	X	X	PF	PF	PF	PF	F	F	F	F	



CODE	DIM "M" MATING LENGTH	CONTACT TYPE
F	[N/A]	SIGNAL
PC	[1.07]	POWER
PF	[2.34]	POWER
X	OMITTED	OMITTED

mat'l code				SEE NOTE		tolerances unless otherwise specified		CUSTOMER		 www.fciconnect.com	
lir	ecn no.	dr	date	linear	0.X ± 0.5	COPY		projection		title	
A	V21657	BMR	10/17/02	0.XX ± 0.25	16S + 4P + 8S + 6P + 8S				VERTICAL SPECIAL RECEPTACLE w/ GUIDE PIN		
B	V03-1087	DA1	10/02/03	0.XXX ± 0.10	product family		MM		PwrBlade		
C	DG05-0304	GuoJM	09/26/05	angles	0° ± 2°	size	dwg no	scale		code	
D	DG07-0498	JW	09/17/08	dr	B. ROHRBAUGH 10/17/02	A	51940-024	1:1		213	
				enrg	M. MOSTOLLER 10/17/02	sheet				sheet	
				chr	M. MOSTOLLER 10/17/02	index				1 of 4	
				appd	M. MOSTOLLER 10/17/02						
sheet		revision		D	D						
index		sheet		1	2						

A

A

B

B

1 | 2

Pro/E

PDM: Rev: D

STAT: Released

Printed: Sep 26, 2008

cage code 28506

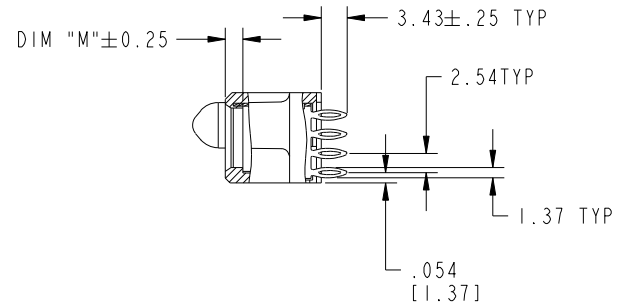
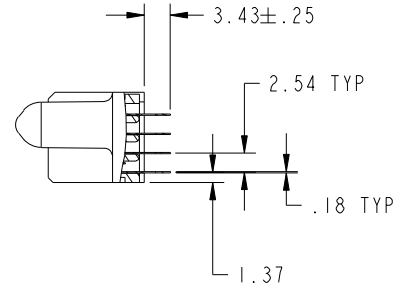
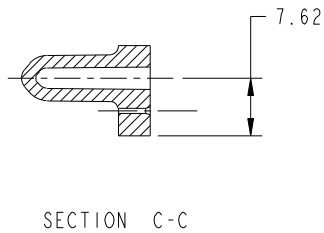
4

Tous droits strictement reserves. Reproduction ou communication a des tiers interdite sous quelque forme que ce soit sans autorisation ecrite du proprietaire. Propriete de c FCI. Droits de reproduction FCI.

All rights strictly reserved. Reproduction or issue to third parties in any form whatever is not permitted without written authority from the proprietor. Property of FCI. Copyright FCI.



PRODUCT NUMBER
51940-024--
NOTE: 3



mat'l code		SEE NOTE		tolerances unless otherwise specified		CUSTOMER		 www.fciconnect.com	
lir	ecn no.	dr	date	linear	0.X ± 0.5	COPY		title	
D					0.XX ± 0.25	projection		16S + 4P + 8S + 6P + 8S	
				angles	0.XXX ± 0.10			VERTICAL SPECIAL RECEPTACLE w/ GUIDE PIN	
				dr	0° ± 2°			product family PwrBlade	
				engr	B. ROHRBAUGH 10/17/02	MM		code	
				chr	M. MOSTOLLER 10/17/02			size	
				appd	M. MOSTOLLER 10/17/02	1:1		dwg no	
sheet	revision							A 51940-024	
index	sheet							213	
								sheet	
								2	

cage code 2856

Pro/E

PDM: Rev:D

STATUS: **Released**

Printed: Sep 26, 2008

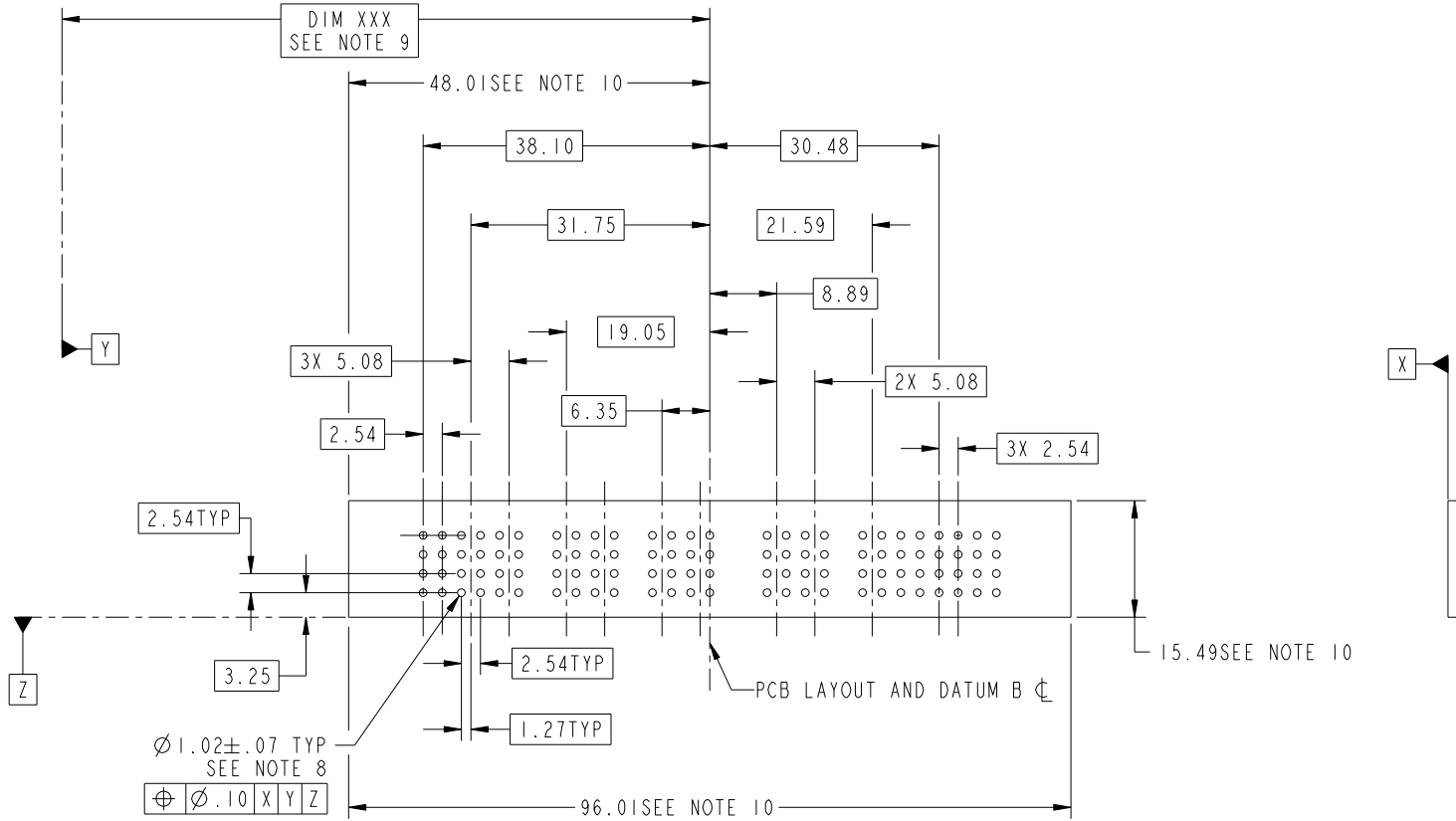
Tous droits strictement reserves. Reproduction ou communication a des tiers interdite sous quelque forme que ce soit sans autorisation ecrite du proprietaire. Propriete de c FCI. Droits de reproduction FCI.

All rights strictly reserved. Reproduction or issue to third parties in any form whatever is not permitted without written authority from the proprietor. Property of FCI. Copyright FCI.



PRODUCT NUMBER

51940-024--
NOTE: 3



mat'l code		SEE NOTE		tolerances unless otherwise specified		CUSTOMER		 www.fciconnect.com	
lir	ecn no.	dr	date	linear	$0.X \pm 0.5$	COPY		title	
D					$0.XX \pm 0.25$	projection		16S + 4P + 8S + 6P + 8S VERTICAL SPECIAL RECEPTACLE w/ GUIDE PIN	
					$0.XXX \pm 0.10$				
				angles	$0^\circ \pm 2^\circ$	MM		product family PwrBlade code	
				dr	B. ROHRBAUGH 10/17/02	scale		size dwg no	
				engr	M. MOSTOLLER 10/17/02	1:1		A 51940-024	
				chr	M. MOSTOLLER 10/17/02			sheet	
				appd	M. MOSTOLLER 10/17/02			3	
sheet index	revision sheet								

cage code 28506

STAT: Released Printed: Sep 26, 2008

Pro/E

PDM: Rev:D

Tous droits strictement reserves. Reproduction ou communication a des tiers interdite sous quelque forme que ce soit sans autorisation ecrite du proprietaire. Propriete de c.FCI. Droits de reproduction FCI.

All rights strictly reserved. Reproduction or issue to third parties in any form whatever is not permitted without written authority from the proprietor. Property of FCI. Copyright FCI.



1 | 2

3

4

PRODUCT NUMBER

51940-024--
NOTE: 3

NOTES:

1. DIMENSIONS AND TOLERANCES ARE IN ACCORDANCE WITH ASME Y14.5M, 1994 UNLESS OTHERWISE SPECIFIED.

CONNECTOR NOTES:

2. HOUSING MATERIAL: UL 94 V-0 GLASS FILLED
HIGH-TEMP THERMOPLASTIC
POWER CONTACT MATERIAL: COPPER ALLOY
SIGNAL PIN MATERIAL: COPPER ALLOY

3. PLATING:
△ SEE ITEM 5 & 6 IN PRINT 10064183 FOR PLATING SPEC OF 51940-024; 51940-024LF PRESPECTIVELY

4. MANUFACTURER'S NAME, P/N, AND DATE CODE TO APPEAR ON THIS SURFACE.

5. PRODUCT SPECIFICATION GS-12-149.
APPLICATION SPECIFICATION BUS-20-067.

PCB NOTES:

6. ALL HOLE DIAMETERS ARE FINISHED HOLE SIZE.

7. MOUNTING HOLES, WHERE APPLICABLE, ARE UNPLATED.

8. $\varnothing 1.151 \pm 0.025$ DRILLED HOLES PLATED WITH)
0.008 MIN SnPb OR Sn OVER 0.03
TO 0.08 Cu PLATING TO ACHIEVE
 $\varnothing 1.02 \pm .07$ HOLE.

9. "DIM XXX" TO BE DETERMINED BY THE CUSTOMER.

10. CONNECTOR KEEP-OUT ZONE.

11. A △ SYMBOL WILL BE NEXT TO ANY DIMENSION, VIEW, OR NOTE WHICH HAS BEEN MODIFIED WITH THE CURRENT DRAWING REVISION.

mat'l code				SEE NOTE		tolerances unless otherwise specified		CUSTOMER		www.fciconnect.com	
lir	ecn no.	dr	date	linear	0.X ± 0.5		COPY			title	
D					0.XX ± 0.25		projection			16S + 4P + 8S + 6P + 8S VERTICAL SPECIAL RECEPTACLE w/ GUIDE PIN	
					0.XXX ± 0.10					product family PwrBlade code	
				angles	0° ± 2°				size		
				dr	B. ROHRBAUGH	10/17/02	scale		A 51940-024		
				enrg	M. MOSTOLLER	10/17/02	1:1		sheet 213		
				chr	M. MOSTOLLER	10/17/02			sheet 4		
				appd	M. MOSTOLLER	10/17/02			cage code 28556		
sheet index	revision sheet										

A

A

B

B

1 | 2

Pro/E

PDM: Rev:D

STATUS: Released

Printed: Sep 26, 2008